

smily :)

Osada Smily Inicio

smily :)



● Please be sure to read the attached document and instruction manual before using the product.

Osada Electric Co., Ltd.

5-17-5, Nishi-gotanda, Shinagawa-ku, Tokyo 141-8517

<https://osada-group.jp/global/index.html>

[Click here for Osada Group website](#)



*Products may be changed for revision without notice. Contact us or Osada distributors for any questions.
*Actual color of products may differ to the printed catalog.

Make the performance to its shape

 **OSADA**

Basic standards created
by Osada's variety of experience.
Smily Inicio.

Variety of selection
From 4 types of shape
and 7 colored upholstery
for treatment styles
and treatment rooms.



Base-mounted type S

Over-arm type S



Over-arm type L

Base-mounted type L

- S type Simple and smooth shape for design-first appearance.
- L type Prioritized for easy enter/exit for patients. Suitable for elder patients and kids patients.
- Over-arm type Suitable for horizontal (nose-knee) positioned treatment.
- Base-mount type Suitable for separated flow-line.



Colors of upholstery
may differ due to
printed colors.

Aqua blue

Spicy red

Flamingo pink

Pale blue

Mint green

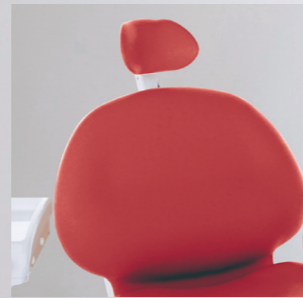
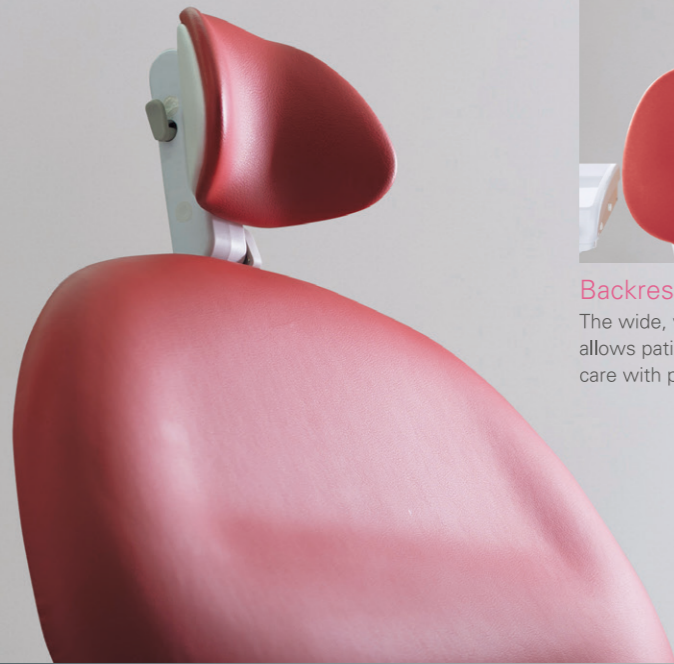
Sparkle orange

Dark brown

Advanced multifunctional basic unit Smily Inicio

Full of basic standards and multifunctional unit with more affordability. Entry model with high performance.

Chair



Backrest
The wide, wrap-around shape allows patients to receive dental care with peace of mind.



Headrest
The round-type head rest supports patients' head tenderly.



Movable instrument holder
It is shifted to the position for Semi-thoracic upper placement.



Free position system
Instrument holder can be tilted forward for safety.



Foot controller
It controls the operation of instruments precisely. (Refer to P5 & 6)

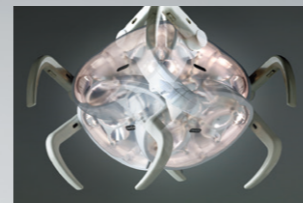
Treatment table



LED operating light



Maximum illumination 30,000 lux
LED is less heating and longer life.



Movable operating light
Smooth angle adjustment allows for quick and easy capture of the treatment area.



Illumination Range
Brightly illuminates the inside of the patient's mouth and the treatment area.



Light and smooth arm
Moderate lightness reduces burden. Comfortable support.



Sensor cup filler
Controlled by light sensor, for automatic water supply.



Assistant holder
Operates with a two-stage arm. The assisting area can be widely secured.

Spittoon side

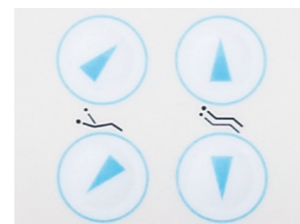


Safe and secure

Variety of safety devices are integrated for elder patients and kids patients. It helps doctors to concentrate on treatment.



Backrest safety device
It stops chair when it pinches something while chair's moving.



Chair safety device
Press any manual switches to stop chair while chair's moving.



First priority system
Only the first-picked instrument runs, while other instruments does not.

Maintenance

Routine maintenance work can be easily performed by anyone, keeping the clinic space hygienic and clean.



Inner circuit clean system
It reduces the growth of bacteria in the water circuit for constant supply of fresh water.



Instrument circuit clean system
Clean under running water to prevent clogging of the water circuit.



Vacuum trap / Water sterilization filter
The vacuum trap can be removed from the top for easy cleaning.

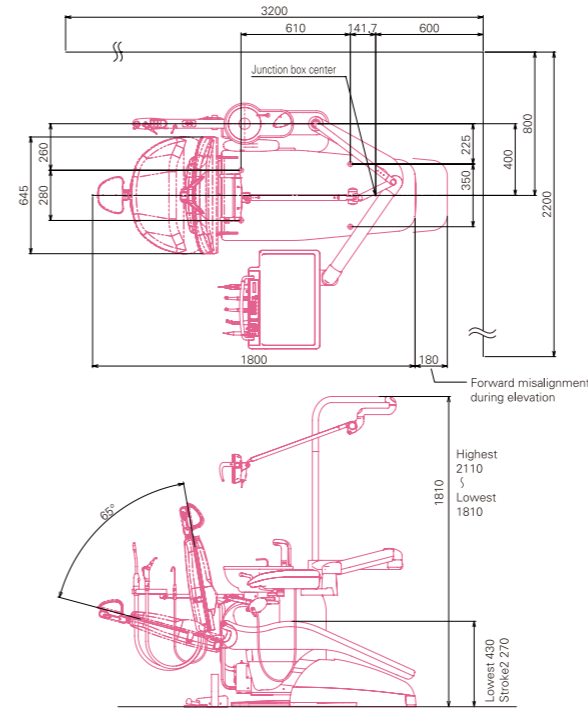
Specification

Dimensions

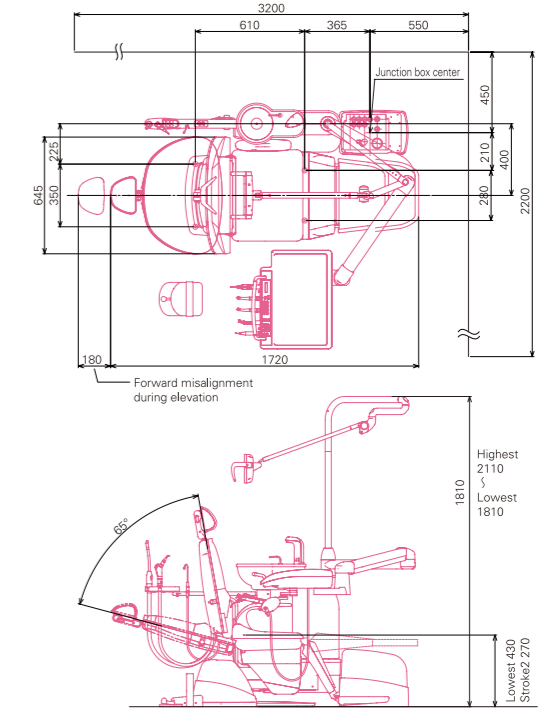
Specification of Osada Smily Inicio series

Product name	Osada Smily Inicio			
Model	IP-RS	IP-S	IP-RL	IP-L
Approval number	226AHBZX00021000			
Classification	Controlled medical device / Specified maintenance controlled medical device / Install controlled medical device			
Electric supply	Power supply: AC 100V – 230V / Power frequency: 50/60Hz / Power supply input: 9A			
Weight	202kg	208kg	186kg	195kg
Chair part	Shape	S type		L type
	Backrest tilt angle	Auto: 65° / Manual: 65°		Auto: 65° / Manual: 75°
	Height range	430~700mm		
	Headrest	Round-type headrest (Stroke 180mm)		
	Chair operation switch	Memory position 2 / Automatic gargling position / Auto-return / Last position memory / Manual switches for elevation, lowering, reclining and raising of backrest		
Table part	Armrest	One-side (Option: Both side)		
	Instrument holder	Flat type instrument holder		
Spittoon	Chair-mount type / Sensor cup filler / Photocatalytic spittoon bowl / Option: Water heater, water inlet, air inlet			
Vacuum / Saliva ejector	Vacuum hose with manual cock / Saliva ejector hose with manual cock			
Operating light	LH-M195 (4500K/5000K) / Illuminance 6,000 – 30,000 Lx / Detachable handle (Autoclavable) / Auto-lighting function			
Junction box	S: Built-in type L: Compact type / Water filter / Water circuit automatic drain / Drain system: Automatic drain			
Foot controller	Lever-type foot controller (without chair control)			
Safety device	Chair emergency stop system / First-picked instrument system / Backrest and Spittoon safety switch			
Others	Instrument inner circuit clean system / Air turbine acclimation rotary system / Air flushing clean system / Auto-off function			

IP-S



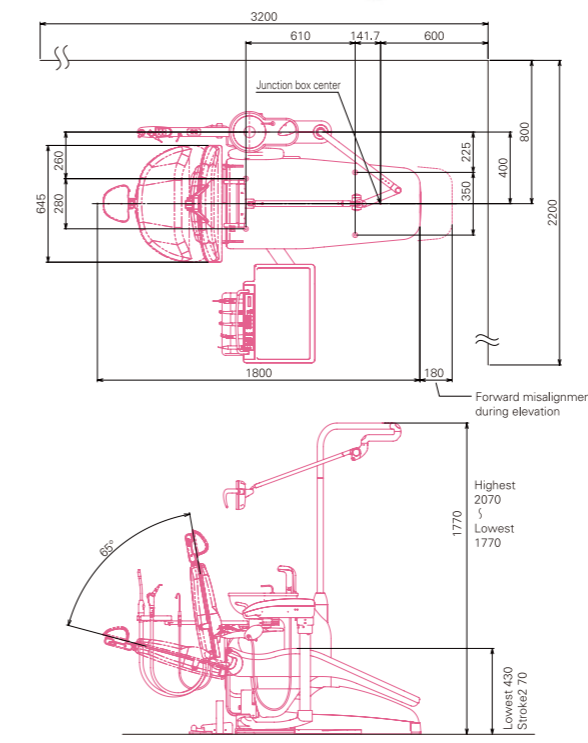
IP-L



Specification of Osada Smily Inicio equipment

Product name (Model)	Product code	Instrument										Water supply	Head rest	Operating light	Others	
		Air turbine 1 circuit * Turbine head is standard equipment	Air turbine 2 circuit * Turbine head is standard equipment	Micro engine GSL set	Multi-purposed ultrasonic system Enac 11L	Osada Multi syringe F (Doctor's side + with heater)	Osada Multi syringe F (Assistant's side + without heater)	Vacuum hose with manual cock	Saliva ejector with manual cocks	Sensor cup filler	Round type headrest					Operating light LH-M19S
Osada Smily Inicio (IP-S / IP-RS 1101)	0683 / 0688	●				●	●	●	●	●	●	●	●	●	●	●
Osada Smily Inicio (IP-S / IP-RS 1111)	0684 / 0689	●			●	●	●	●	●	●	●	●	●	●	●	●
Osada Smily Inicio (IP-S / IP-RS 2101)	0685 / 0690	●	●			●	●	●	●	●	●	●	●	●	●	●
Osada Smily Inicio (IP-S / IP-RS 2111)	0686 / 0691	●	●		●	●	●	●	●	●	●	●	●	●	●	●
Osada Smily Inicio (IP-S / IP-RS 1201)	0734 / 0735	●				●	●	●	●	●	●	●	●	●	●	●
Osada Smily Inicio (IP-S / IP-RS 1211)	0687 / 0692	●			●	●	●	●	●	●	●	●	●	●	●	●
Osada Smily Inicio (IP-L / IP-RL 1101)	0693 / 0698	●		CAG01 SHG02		●	●	●	●	●	●	●	●	●	●	●
Osada Smily Inicio (IP-L / IP-RL 1111)	0694 / 0699	●			●	●	●	●	●	●	●	●	●	●	●	●
Osada Smily Inicio (IP-L / IP-RL 2101)	0695 / 0700	●	●			●	●	●	●	●	●	●	●	●	●	●
Osada Smily Inicio (IP-L / IP-RL 2111)	0696 / 0701	●	●		●	●	●	●	●	●	●	●	●	●	●	●
Osada Smily Inicio (IP-L / IP-RL 1201)	0736 / 0737	●				●	●	●	●	●	●	●	●	●	●	●
Osada Smily Inicio (IP-L / IP-RL 1211)	0696 / 0702	●			●	●	●	●	●	●	●	●	●	●	●	●

IP-RS



IP-RL

