





















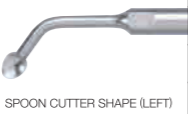
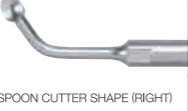






LINE UP OF TIPS OF OSADA SURGERY FALCON

BONE CUTTING	PRODUCT NAME
	PART NUMBER
	POWER SETTING
	ST70 45673 7~10
	ST71 45671 7~10
	ST70Z 51864 7~10 SERRATED EDGE ON TOP
	ST91 53302 7~15 KNIFE SHAPE (THICK)
	ST92 53303 7~15 KNIFE SHAPE (THIN)
	ST93 53304 7~15 SAW BLADE (THICK 0.9)
	ST94 53305 7~15 SAW BLADE (THIN 0.5)
	ST95 53307 7~15 KNIFE SHAPE (THICK) (HORIZONTAL BLADE)
	ST106 53313 7~15 SAW BLADE (LEFT ANGLE)
	ST107 53314 7~15 SAW BLADE (RIGHT ANGLE)

BONE DRILLING	PRODUCT NAME
	PART NUMBER
	POWER SETTING
	ST83 51867 7~10 φ 1.2 DIAMOND COATED SPHERE
	ST84 51868 7~10 φ 1.2 DIAMOND COATED SPHERE
	ST83S 51972 7~10 φ 0.8 DIAMOND COATED SPHERE
	ST84S 51973 7~10 φ 0.8 DIAMOND COATED SPHERE
	ST97 53309 7~10 φ 1.0 DIAMOND COATED SPHERE
	ST98 53310 7~10 φ 2.0 DIAMOND COATED SPHERE
	ST108 53315 7~15 φ 2.0 DIAMOND COATED SPHERE

 mark is the standard tip.

BONE TISSUE COLLECTION	PRODUCT NAME
	PART NUMBER
	POWER SETTING
	ST72 45674 7~10 SPADE SHAPE (STANDARD)
	ST96 53308 7~15 SPADE SHAPE (WIDER)
	ST74 45676 7~10 SPOON SHAPE (LEFT)
	ST75 45677 7~10 SPOON SHAPE (RIGHT)
	ST86 51974 7~10 SPOON CUTTER SHAPE (LEFT)
	ST87 51975 7~10 SPOON CUTTER SHAPE (RIGHT)

MEMBRANE SEPARATION	PRODUCT NAME
	PART NUMBER
	POWER SETTING
	ST82 51866 7~10 BUGLE ON TOP φ 4.0
	ST73 45675 7~10 BUGLE ON TOP φ 6.0
	ST99 53311 7~10 BUGLE ON TOP (FLAT)
	ST100 53312 7~10 BUGLE ON TOP (STRAIGHT)



(ST72, 73, 83, 84, 91, 95)

■ SPECIFICATIONS

POWER SOURCE	Voltage	AC 230V
	Frequency	50/60Hz
	Current	0.5A
WEIGHT	Control Unit : 3.1Kgs	
	Handpiece : 50g Hose : 88g	
DIMENSIONS	Control Unit : W216 x D269 x H474mm (including the hanger)	
	Handpiece : φ19 x 110mm Hose: 1.9m	
OSCILLATION METHOD	Piezoelectric method	
OSCILLATION FREQUENCY	30±2KHz	
POWER SETTING	1 - 15 (15 stages)	
WATER VOLUME	10 - 80ml/min (10 stages)	
LIGHT	1,500±500Lx	
STANDARD EQUIPMENT	Control unit, hose, handpiece, handpiece holder, tip set (ST72,73,83,84,91,95), tip case, foot switch, hanger, tip spanner, tip tightener, sterilization case, bottle B<one for each>	
APPROVAL NUMBER	223ALBZX00031000	

PRODUCT NUMBER	PRODUCT NAME	MODEL
3262	Osada Surgery Falcon	OSF-1

osada SURGERY FALCON

Dental Ultrasonic Multipurpose Device



SUBJECT TO CHANGES IN SPECIFICATIONS AND/OR DESIGNS, WITHOUT PRIOR NOTICE

OSADA

17-5, Nishi-gotanda 5-chome
Shinagawa-ku, Tokyo 141-8517, Japan
Tel: +81-3-3492-7651

<http://www.osada-electric.co.jp/English>

March 9, 2012

osada SURGERY FALCON

PROVIDES FOR PATIENT GENTLE AND SAFE TREATMENT

- By means of the ultrasonic oscillation, the safe and precise bone cutting can be performed without hurting soft tissues and blood vessels.
- The small cut in the soft tissue is sufficient for surgery. The strain of patient is little and it helps quick recovery of the patient.

PROVIDES FOR DOCTOR SATISFYING SUPPORT WITH WIDE RANGE OF TIPS AND FUNCTIONS

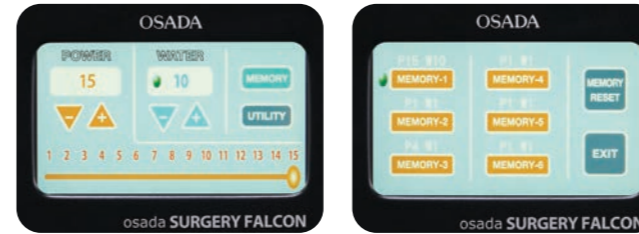
- Rich varieties of tips are applicable for the wide range of treatment cases such as sinus lift, socket lift, veneer bone grafting, and for supplemental use for extracting tooth.
- The power is upgraded by 50% compared to the conventional device model and the fine power settings of 15 stages are available.

PROVIDES FOR DOCTOR HANDY AND EASILY CONTROL-LABLE FACILITIES

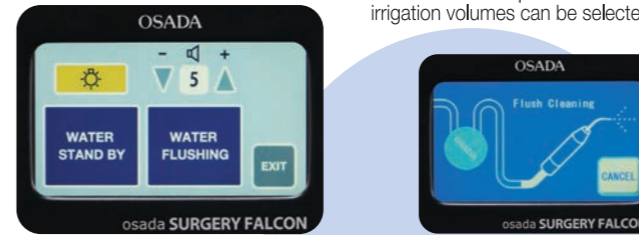
- By instantly operable touch panel, all the types of settings can be done easily.
- Six (6) various settings of memories for power and irrigation volumes are possible to suit the technical methods and treatment cases.

DISPLAY PANEL

The panel is instantly operable and can register memories and irrigation volume settings. The surface is flat and easy for cleaning.



- For the operation, one of six(6) different sets of power and irrigation volumes can be selected.



- By pressing the water stand by button, irrigation water reaches till the top of the handpiece and it gets ready to work immediately.
- By pressing the water flushing button, the water in the hose is drained out and the cleaning of water circuit and drainage can be done smoothly.



HANDPIECE

LED light attached handpiece is well balanced and doctors perform the comfortable treatment without strain.



STERILIZATION

Handpiece, hose and tips are autoclavable after being put in a sterilization case.



OPTIONAL ITEMS



FOOT CONTROLLER
The adjustment of memory, power and irrigation volume settings can be operated by foot and this helps maintaining hygiene of control unit.



EXTERNAL IRRIGANT TUBE

CLINICAL CASES

< SINUS LIFT >

Cases provided by :
Dr. Toshiro Sugai
UC Dental Implant Center
UC Medical Corporation



ST84S Making a guide for sinus window opening



ST91 Sinus Window Opening



ST82 Maxillary Sinus Membrane Separation around window opening



ST99 Maxillary Sinus Membrane Separation



Maxillary sinus membrane separation and the lift is completed.

